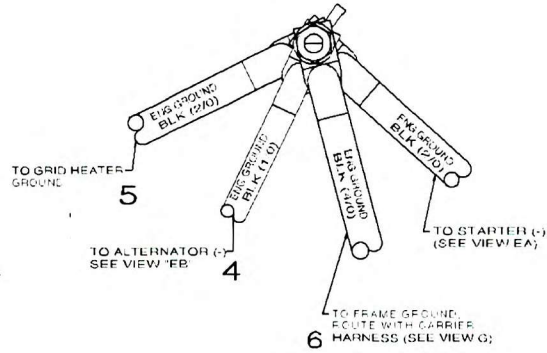
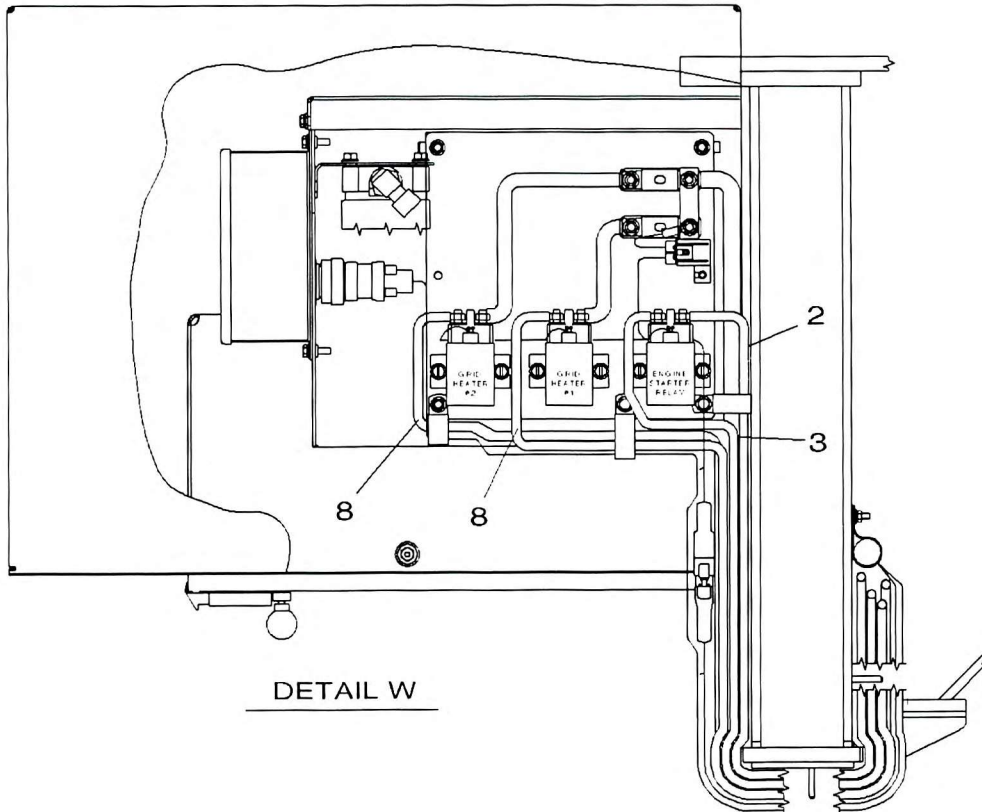


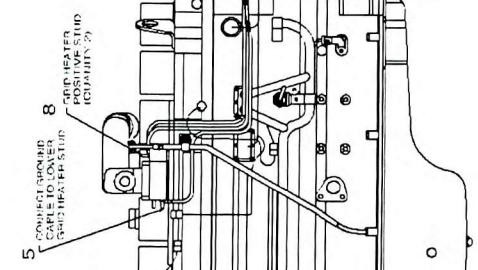
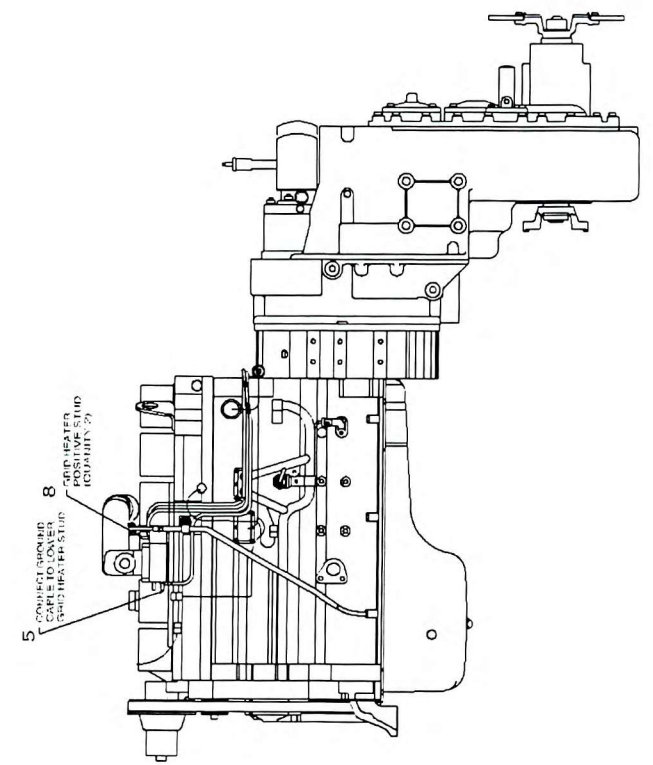
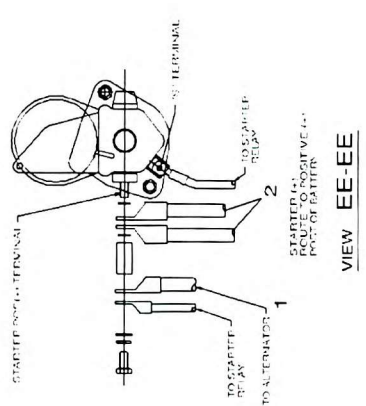
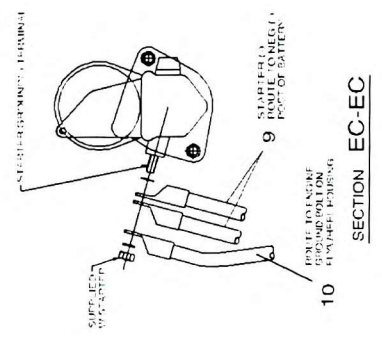
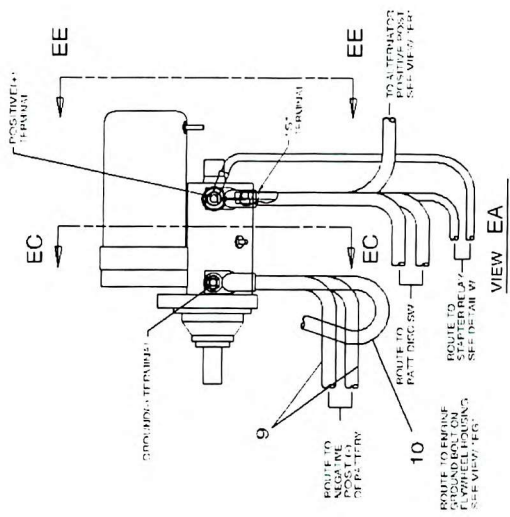
# Manitowoc Crane Group



**VIEW EG**  
ENGINE GROUND STUD



**DETAIL W**



ROUTE TO ENGINE GROUND BOLT ON LOWER BUSHING SEE VIEW EC

ROUTE TO POSITIVE POST OF BATTERY

ROUTE TO BATT. NEG. SW.

TO ALTERNATOR SEE VIEW EC

ROUTE TO POSITIVE POST OF BATTERY

ROUTE TO POSITIVE POST OF BATTERY

TO ALTERNATOR SEE VIEW EC